



Trade Brochure - Strictly Trade Only





Europe's Largest PVC-U Vertical Slider Manufacturer

Victorian Sliders are Europe's largest specialist manufacturer of PVC-U vertical sliding sash windows, extruding and fabricating made to measure ECOSlide windows in a purpose-built production facility.

Every aspect of product design and fabrication is carried out by our team under strict quality control procedures, from the specification of specially formulated raw materials, to the extrusion of highly engineered PVC-U window profiles, woodgrain foil or colour spray surface finishing of the window frame components, double glazed toughened sealed unit production and final assembly of complete sash windows.

Using our own fleet of transport vehicles, we distribute finished windows to Professional Trade Installers, who in turn supply and fit ECOSlide windows for their customers.



PVC-U Profile Extrusion

At Victorian Sliders we have been extruding our own purpose-designed profiles from 100% virgin, lead-free compound since 2009, to ensure that the entire ECOSlide manufacturing process – from raw materials to fully-fabricated units ready for despatch – is carried out under one roof under strict quality control procedures.

4 new high-speed extrusion lines and 18 new extruded profile tools were added in 2015, resulting in 7 PVC-U extrusion lines now being operational to meet demand.



Precision Fabrication

Schirmer cutting and machining centres and Urban quad-welding and corner cleaning lines are employed to ensure high precision fabrication. Our spacious plant has capacity to manufacture more than 5,000 ECOSlide vertical sliding windows per week.



Profile Bending

A special production area with profile bending equipment caters for fabrication of architectural True Arch, Gothic Arch and Swept Head sash windows, exactly to specification.

Foil & Sprayed Finishing

Woodgrain foil finishing or bespoke sprayed colour finishing of ECOSlide PVC-U vertical sliding sash window profiles is undertaken in-house, to provide customer choice.

IGU Manufacturing

Toughened insulated double glass units are manufactured in-house. Argon gas-filling of sealed IGUs is an optional specification, depending on the WER required.



Packaging & Despatch

Complete CE Marked glazed window units are carefully packaged, ready for despatch by lorry to regional depots or delivery addresses. Our mission at Victorian Sliders is to fully process every sash window order within 5 working days, from placement of order to customer delivery,



ECOSlide PVC-U Vertical Sliders

ECOSlide PVC-U vertical sliding sash windows are manufactured to exact customer requirements. Widths can range from a minimum of 370mm to a maximum of 1600mm. Heights can range from a minimum of 740mm to a maximum of 3000mm.

Thermally efficient and environmentally-friendly, our windows mimic the aesthetic appeal of a classic timber box sash window while delivering all the benefits of a modern PVC-U system.



Tilt & Easy Clean Function

Low maintenance ECOSlide PVC-U vertical sliding sash windows only require a quick wipe down with a damp cloth to keep them looking as good as new.

The window sashes feature an inward opening tilt facility to allow easy and safe cleaning of the outside frame and glass from inside the building. This is particularly useful for multi-storey windows or windows positioned in hard to reach places.





Authentic Sash Details

ECOSlide PVC-U vertical sliding sash windows are as authentic-looking as possible, featuring slim profile sections with design aesthetics which are pleasing to the eye as well as offering improved views from the inside and outside.

Our windows incorporate the same stylish features found on original timber sash windows such as Astragal glazing bars, decorative sash horns and traditional-style operating hardware. The jambs, sash sections and meeting rail are all engineered to look just like an original timber sash window.



Window Features



Astragal Bars are decorative sculptured bars that give the sash the illusion it has individual panes of glass. These are positioned on both the inside and outside of the glass with a Duplex spacer bar in the sealed unit.



Georgian Bars are internal decorative bars fitted within the double glazed unit that create a Georgian-style window effect. Available in widths of 18mm and 25mm.



Decorative Run-through Sash Horns are on the outside bottom of the top sash as an original feature. Horns must be specified with your quote/order.



Cills are available in front-to-back depths of 152mm (standard), 185mm and 225mm and feature our signature "anti-jemmy" security bar upstand. External top faces of all our ECOSlide cill profiles gently slope to efficiently shed and drain rainwater away from the window.

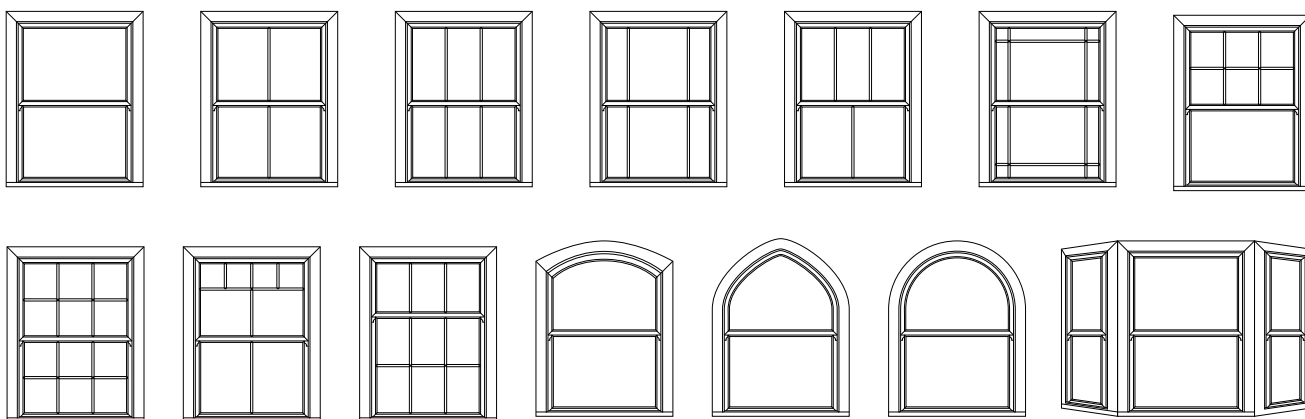


Trickle Vents are predominantly positioned in the top sash, but can be placed in the head upon request. If the trickle vent is placed in the head of the frame, an add-on profile to the top of the window may be required.

Sash Window Styles

ECOSlide PVC-U vertical sliding sash windows are available in a range of popular sash window design styles to provide 21st century modern replacements for original windows, including splayed and 90° bay-style windows. We can also bespoke manufacture units in eye-catching architectural shapes such as True Arch, Gothic Arch and Swept Head windows.

Transom drops are 50/50 split as standard. Other transom drops can be manufactured to order, but the transom drop will be determined by the grid layout.



Other additional design options are available with internal Georgian glazing bars or external Astragal glazing bars.

Toughened Insulated Glass

ECOSlide PVC-U vertical sliding sash windows feature double glazed sealed units with toughened glass in both top and bottom sashes, for enhanced safety and security.

High performance double glazed insulated glass units are 24mm in thickness (outer pane 4mm, airgap 16mm, inner pane 4mm) for optimum thermal efficiency.

Patterned obscured glass is ideal for bathrooms, toilets and other room locations as required. We offer a full choice of privacy glass styles.

Privacy Glass Options



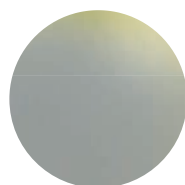
Contora™



Charcoal Sticks™



Minster™



Satin™



Stippolyte™

Note: More patterned privacy glass options are available on request.



We fit toughened glass in both top and bottom sashes.



Colour & Foil Finishes

ECOSlide PVC-U vertical sliding sash windows are available in White and Cream solid PVC-U profile colour options. For a more natural wood effect, our Crystal White, Cream, Golden Oak and Irish Oak foils applied to both outside and inside faces give a realistic woodgrain appearance that mimics the grained texture and appearance of an original timber window.

We also offer as standard Colour-on-White options in Chartwell Green, Anthracite Grey, Rosewood, Black Brown, Cream, Golden Oak and Irish Oak. These dual-colour options provide homeowners with customer choice. For example, a characterful colour can be selected for the external window faces whilst maintaining a White interior finish to suit internal decoration schemes.

Note: Other foil colour combinations are available on request.



Profile Colour



White

Foil Inside and Outside Options



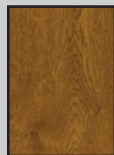
Crystal White



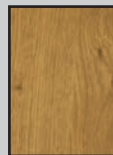
Cream



Anthracite Grey



Golden Oak



Irish Oak

Foil Outside / White Inside Options



Chartwell Green



Anthracite Grey



Agate Grey



Rosewood



Black Brown



Cream



Golden Oak



Irish Oak

Note: Colours shown are a guide only. Please see a Victorian Sliders foil colour swatch prior to placing an order.

Custom Colour Spray Finishing and Colour Matching

An onsite paint shop enables ECOSlide PVC-U sash windows to be spray painted to match virtually any RAL code or colour.

This facility allows you to personalise the vertical sash windows and colour co-ordinate them to match the property or suit a homeowner customer's specific requirements.

Our optional spray painted finish is applied to the highest standards and will provide a unique and colourful sash window project solution.



Hardware & Security

ECOSlide PVC-U sash windows feature traditionally-styled vertical slider hardware. Pole eyes, tilt knobs, sash lifts, sash locks and travel restrictors are fitted as standard, but we can also offer D handles if needed. All hardware is available in Chrome, Gold, White, Black or Satin Chrome to complement our range of sash window frame colours.

High performance locking systems will deter potential intruders to give homeowners extra peace of mind.

All windows can comply with Fire Escape specifications on request.

Travel Restrictors – Provide enhanced security and safety for your vertical sliding sash windows. Used to restrict the opening of the window to just 100mm. Key operated.

D Handles – These optional easy-grip handles can be used in place of pole eyes or sash lifts and can be fitted externally on the bottom of the top sash for ease of operation.

Pole Eyes – Used for opening and closing the top sash. Two Pole Eyes are fitted as standard.

Tilt Knobs – Allow inward tilting of the sliding sashes for easy and safe cleaning from inside the home. Two Tilt Knobs are fitted as standard.

Sash Locks – Lock both bottom and top sashes firmly in place when the window is fully closed. Key lockable. One Sash Lock is fitted to windows up to 799mm wide. Two are fitted on windows 800mm wide and over.

Sash Lifts – Used for opening and closing the bottom sash. Two Sash lifts are fitted as standard.

Security Bar – This specially-designed feature is an integral part of the window cill which significantly increases security, to help prevent potential intruders using tools or excessive force to try and lever open the bottom sliding sash and gain entry.

Toughened Glass – Fitted in both top and bottom sashes as standard.



Satin Chrome



Chrome



Gold

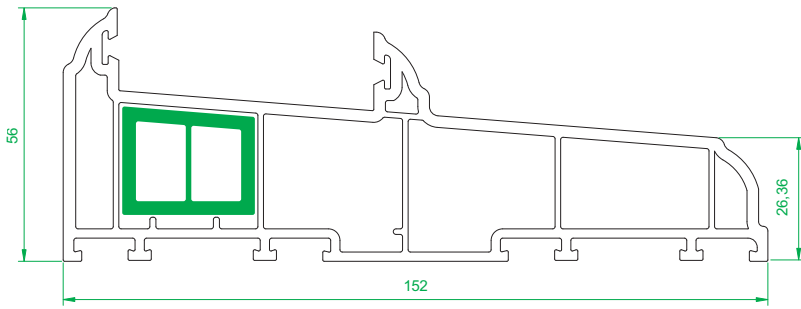


White

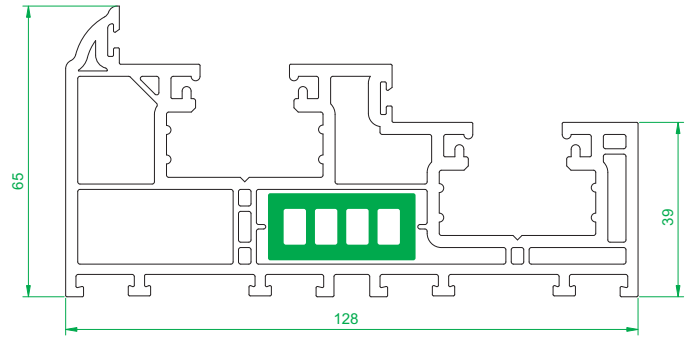


Black

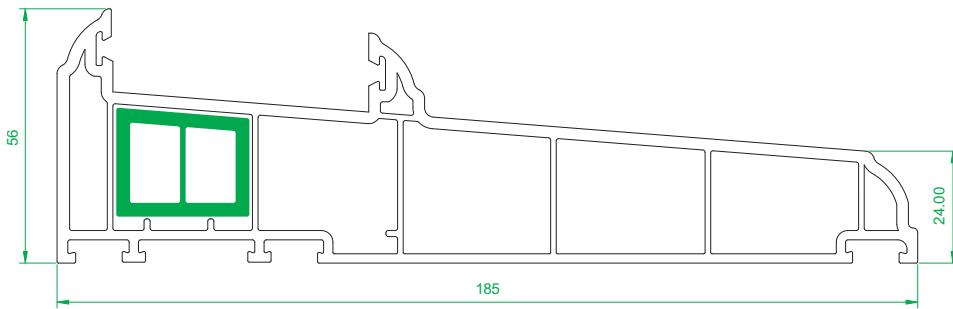
ECOSlide Profiles



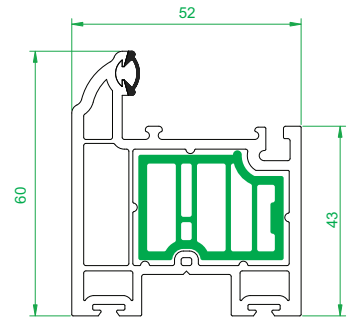
4005 152mm Cill



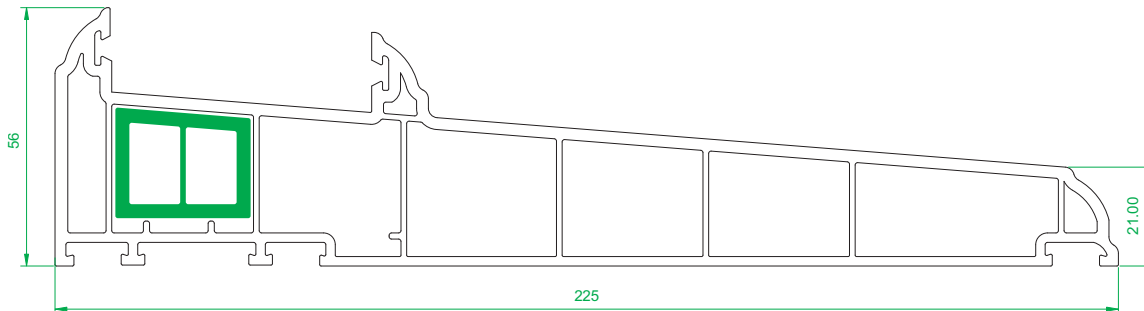
4001 Outer Frame



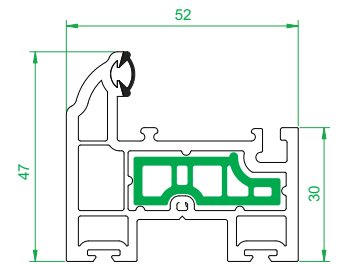
4006 185mm Cill



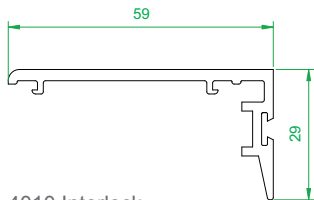
4003 Medium Sash



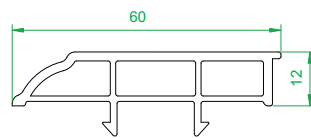
4007 225mm Cill



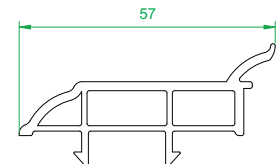
4002 Small Sash



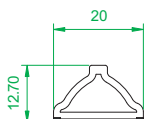
4010 Interlock



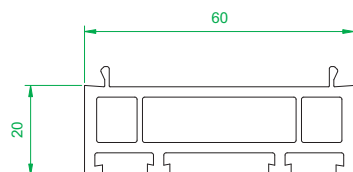
4012 Sash Stop



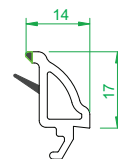
4013 Sash Stop with upstand



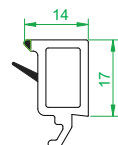
4101 Astragal Bar



4120 20mm Add On



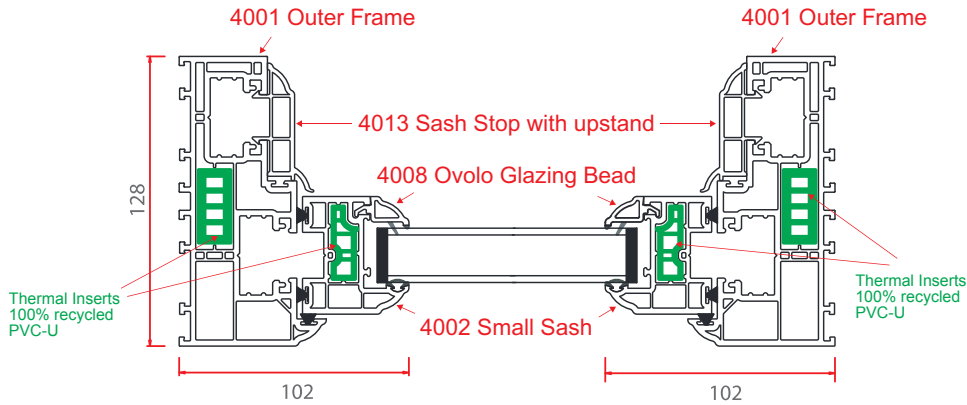
4008 24mm Ovolo Co Ex Glazing Bead



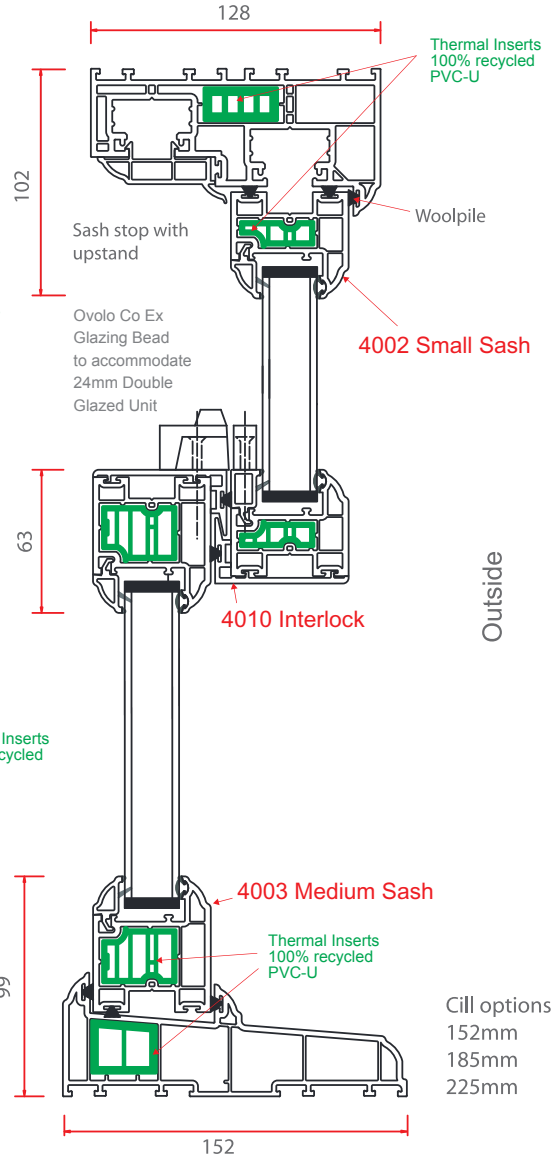
4009 24mm Square Co Ex Glazing Bead

Technical Details

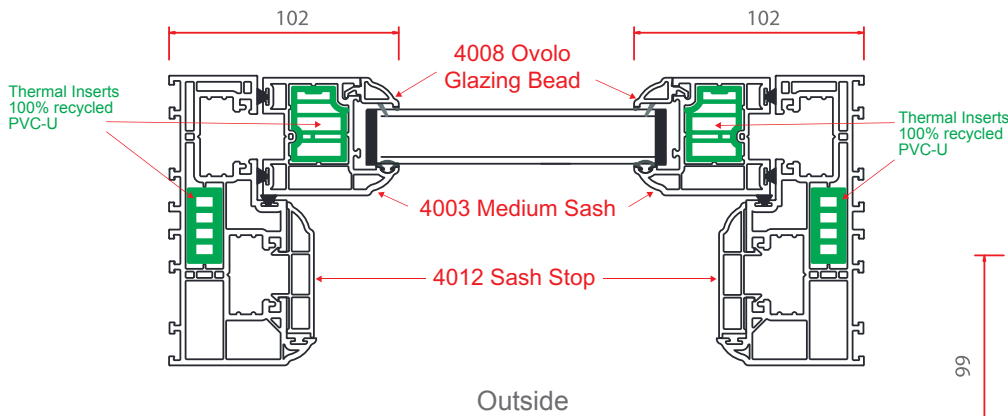
Horizontal section through top sash



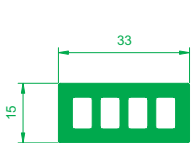
Vertical section through top sash



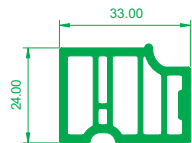
Horizontal section through bottom sash



Note: Thermal inserts (coloured green) are manufactured from 100% recycled PVC-U.



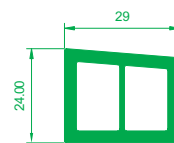
4401 Thermal Insert
For 4001 Outer Frame



4402 Thermal Insert
For 4003 Medium Sash



4403 Thermal Insert
For 4002 Small Sash



4404 Thermal Insert
For 4005, 4006, 4007 cill

Note: Installation Guidelines for ECOSlide PVC-U vertical sliding sash windows are available on request.



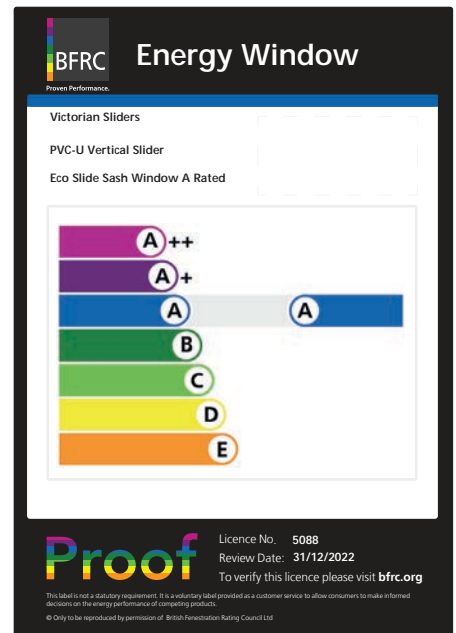
Window Energy Ratings

All our ECOSlide PVC-U vertical sliding sash windows are supplied with an A-Rated Window Energy Rating as standard.

ECOSlide windows have been subjected to Window Energy Rating simulation calculations by an approved British Fenestration Ratings Council (BFRC) simulator.

Thermal Inserts manufactured from 100% recycled PVC-U are inserted in the factory to enhance the thermal performance of the windows. These multi-chambered extruded inserts are much more thermally efficient than traditional steel bars, whilst also being lighter and providing better fixing screw retention during window installation.

Independently tested at a UKAS test house our ECOSlide window has been evaluated in accordance with BS.6375 Part 1 "Performance of Windows: Classification for Weathertightness" against the test assessment methods laid down in BS.5368 and has achieved outstanding results. The figures achieved indicate that the tested Weather Performance Rating for our ECOSlide vertical sliding sash window will meet "Severe" weather conditions.



Test	Results
BS.5368 Part 1 – Air Permeability	600Pa / Class 2
BS.5368 Part 2 – Watertightness	200Pa / Class 5A
BS.5368 Part 3 – Wind Resistance	1600Pa / Class 4



Product Guarantees

Victorian Sliders offer the following manufacturer's Product Guarantees which are fully endorsed by our supply chain partners and have been enhanced for all orders placed from January 2017:

PVC-U Profile – is extruded in the UK and is fully compliant with all current standards and guaranteed for a period of 10 years.

Sealed Double Glass Units – are produced in full accordance with BS EN 1279 and are guaranteed for a period of 10 years.

Operating Hardware – is guaranteed from technical fault or operating functionality defect for a period of 10 years.

Vertical Slider Balance Springs – are guaranteed from breakdown or failure for a period of 10 years.

Note: All Product Guarantees are subject to our standard Terms & Conditions.

Marketing Support Materials

We have a range of materials to assist you in marketing the ECOSlide window.

Please see various marketing materials for trade customers below. If you would like any help or information about marketing the ECOSlide window please get in touch with our marketing department.

ECOSlide Brochures

We can supply hard copies of our ECOSlide consumer brochure; equipped with thorough information and features of the products, as well as stunning images. Alternatively, an electronic version can also be viewed and shared online (contact us for more information).

Images

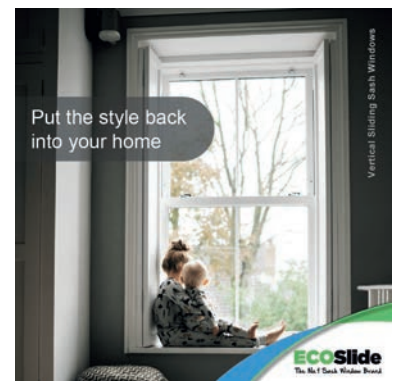
We can send you a wide range of images for you to use on your own website, social media and literature. Images are sent via a wetransfer.com link so not to fill up your emails with images

Showroom Support

We also offer showroom materials so you can display the products in your own showroom; A full size window supplied with a metal stand and graphics, a small demonstration window, foil swatches & ECOSlide brochures.



Our demonstration window is specifically designed to help you sell to homeowners.



The showroom support form can be downloaded from our website

Demonstration Windows

If you don't have a showroom another good sales tool is our Demo window, small enough to fit in a car, this Demo window enables your customer to touch and feel the quality of the windows they are looking to buy.

Victorian Sliders

SASH WINDOWS



Europe's **largest** specialist manufacturer
of PVC-U **vertical sliding** sash windows

Strictly Trade Only



E&OE

Please note that product specifications & information contained within
this brochure can be subject to change.
Please check the Victorian Sliders website for up to date information.

Victorian House, Parc Hendre,
Capel Hendre, Ammanford, SA18 3FA
Tel: 01269 846200
Email: sales@victoriansliders.co.uk
www.victoriansliders.co.uk

ECOSlide
The No.1 Sash Window Brand